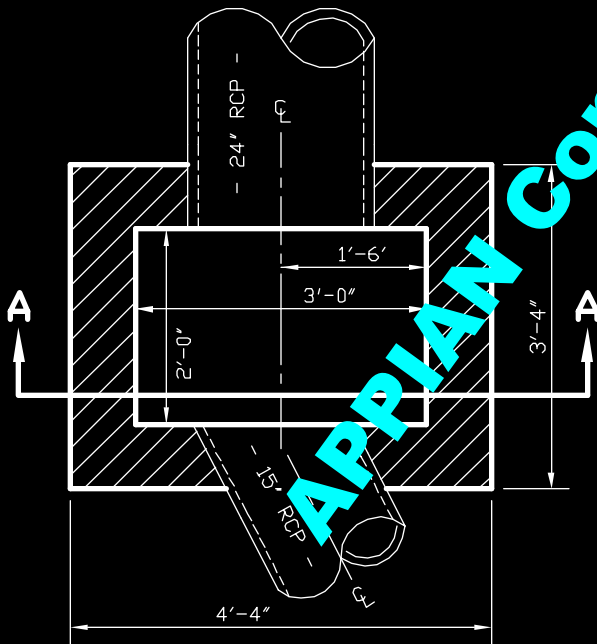


SECTION

SCALE: 1" = 2'-0"

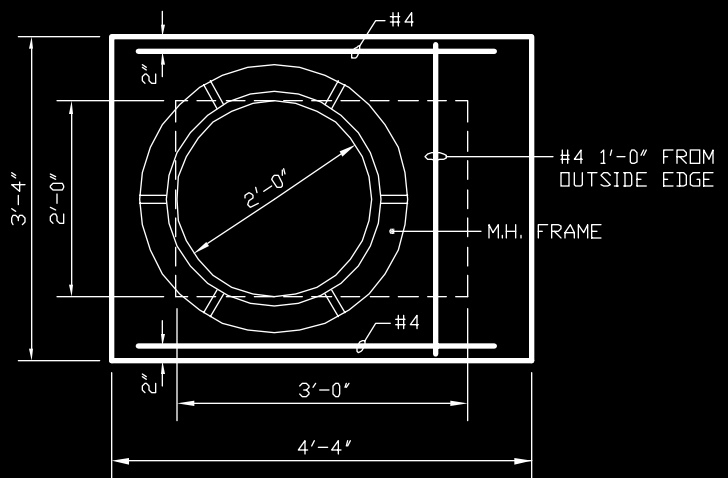
NOTES

1. USE EITHER CONC. BUILDING BRICK-ASTM C55, GRADE N, TYPE 1 OR CLAY BRICK-ASTM C32, GRADE N.
2. MORTAR TO BE TYPE M.
3. CONCRETE PIPE TO BE CLASS III.
4. ALL JUNCTION BOXES OVER 3'-6" IN DEPTH SHALL BE PROVIDED WITH STEPS, (1'-2" D.C.)



BOX PLAN

SCALE: 1" = 2'-0"



TOP VIEW

SCALE: 1" = 2'-0"

705.02 - 3' x 2' M.H. JCT. BOX

SCALE: 1" = 2'-0"

REV. 9-8-92

APPLIAN Consulting Engineers